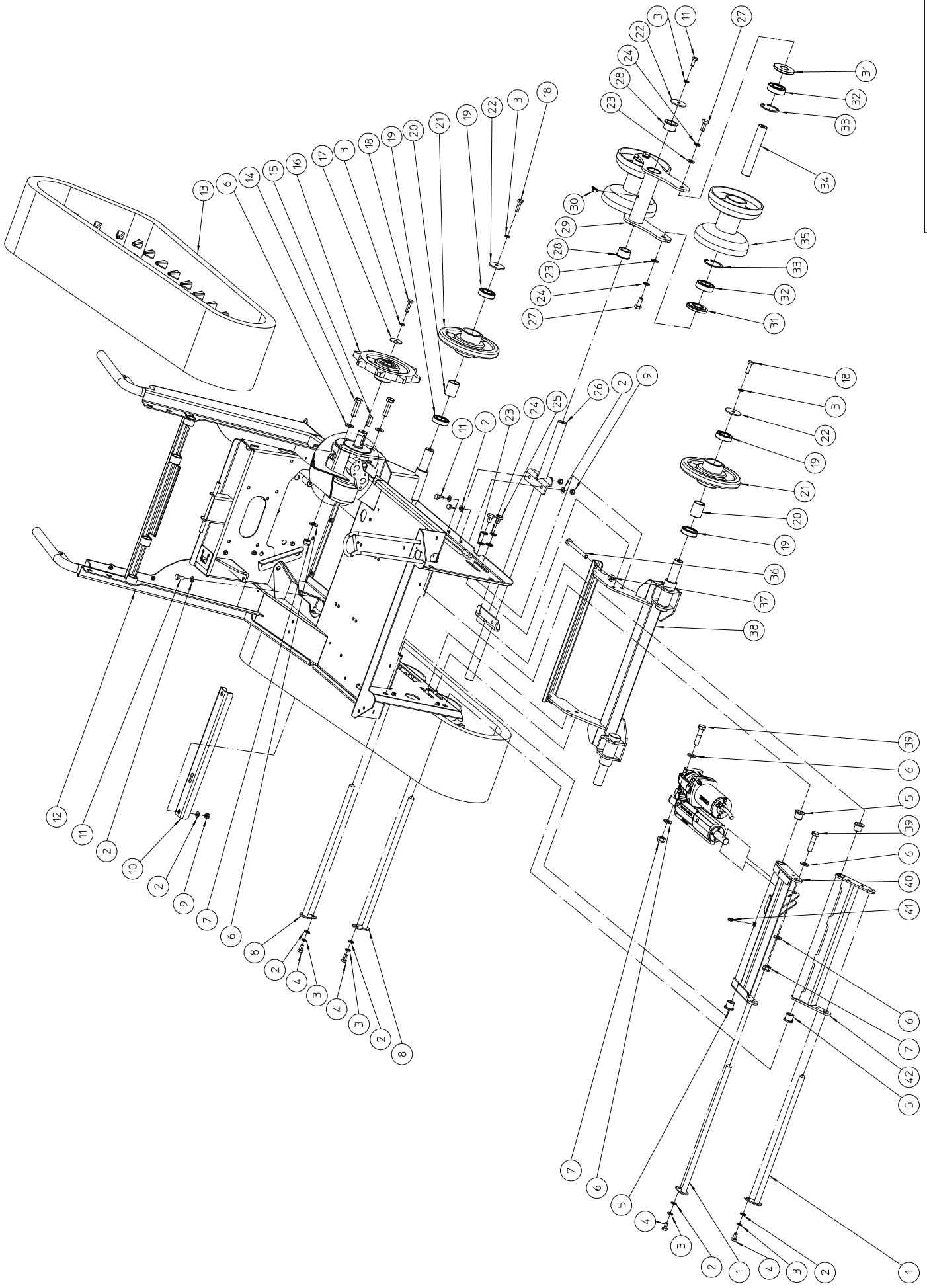


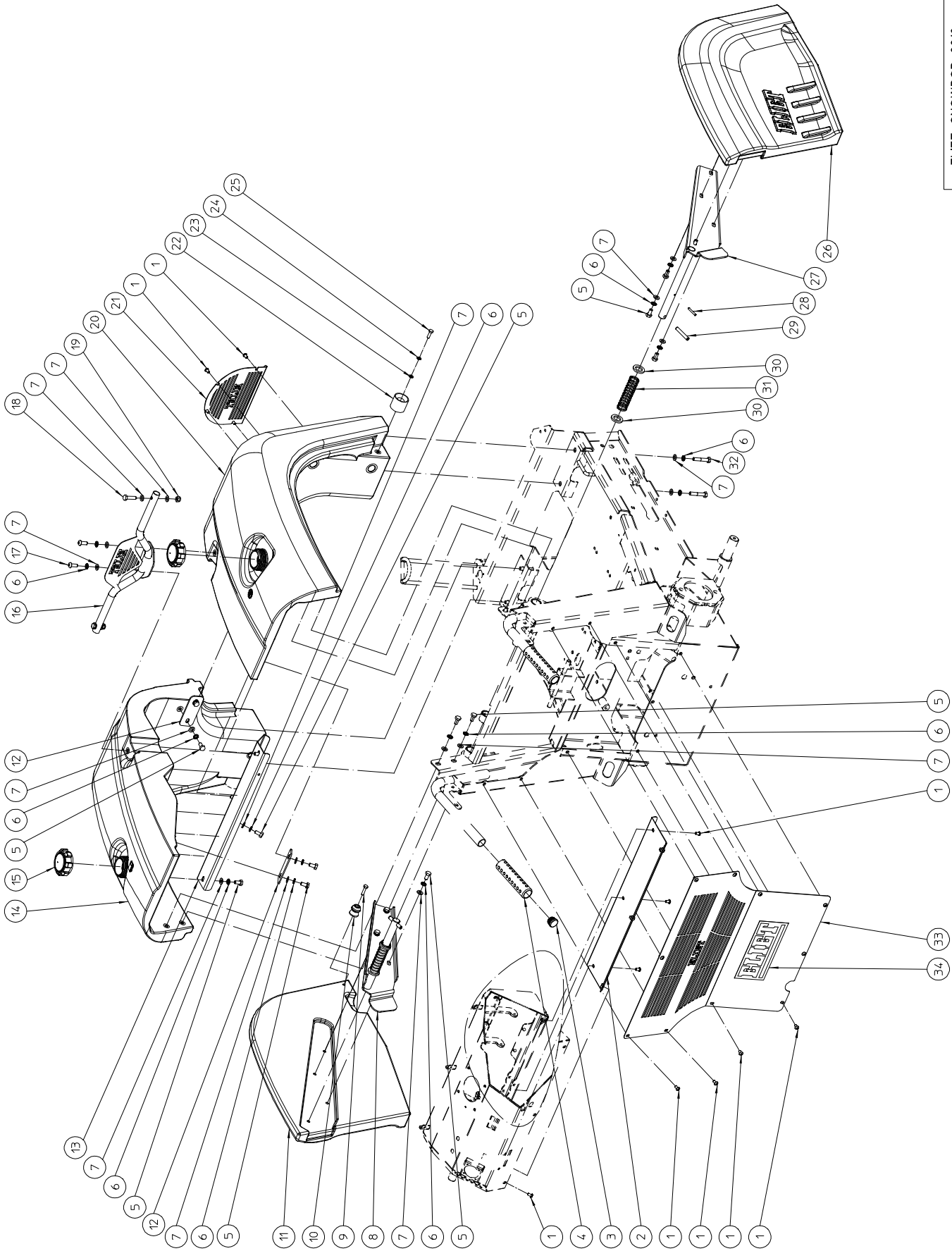
ELIET SNOWBOB 9018 -- GENERAL			
NO	MMA	01 310 100	REV 2
		DATE	2014/01/22

#	Order nr	article description	quantity
1	MMA 01 310 110	chassis, drive	1
2	MMA 01 310 120	tank, side cover	1
3	MMA 01 310 130	handle-bars	1
4	MMA 01 310 140	electrics	1
5	MMA 01 310 150	blower	1
6	MMA 01 310 160	engine	1
7	MMA 01 310 170	transmission	1
8	MMA 01 310 180	hydraulics	1

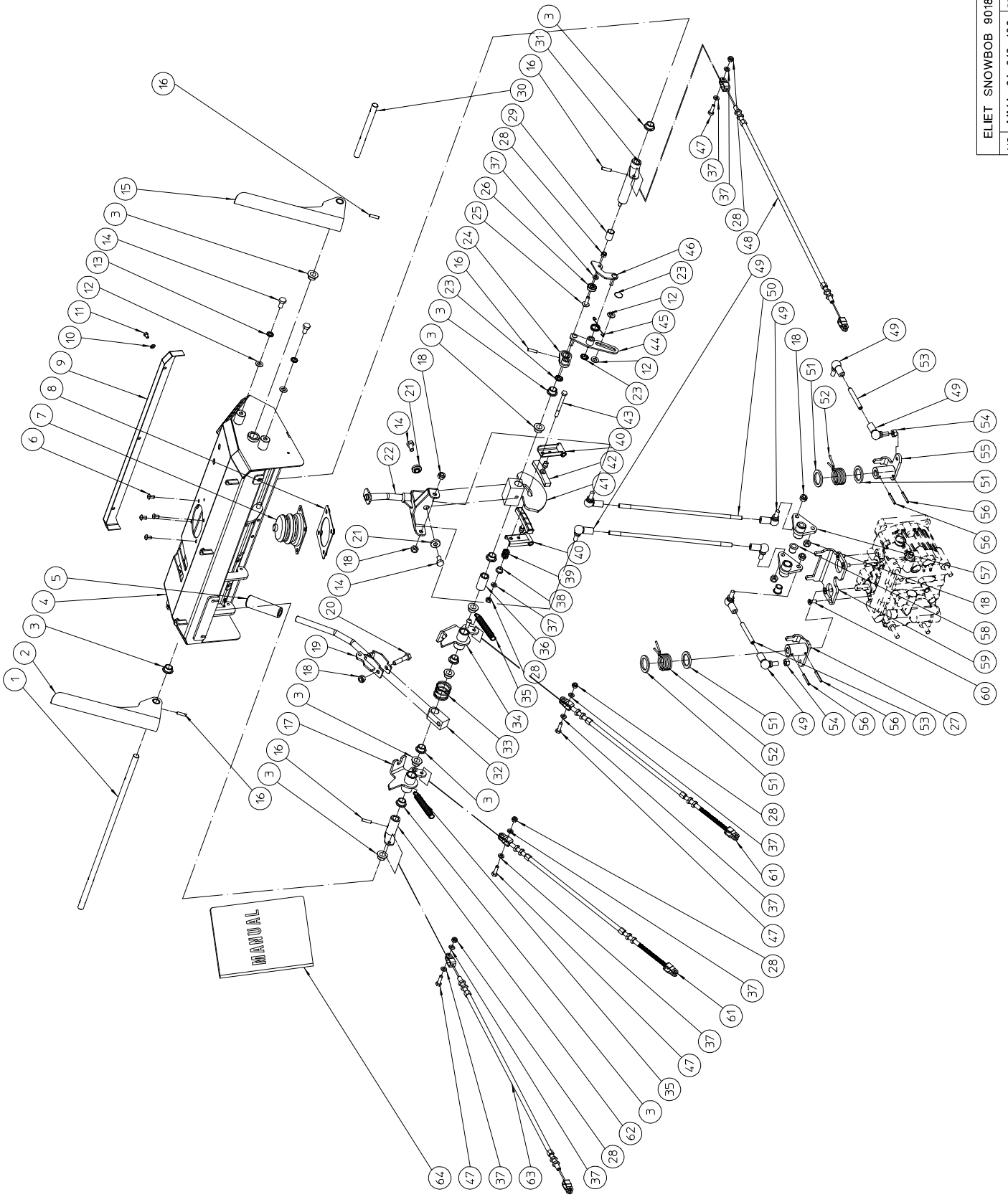


ELIET SNOWBOB 9018 -- CHASSIS			
NO	MMA 01 310 110	REV	2
DATE	2014/01/22		

#	Order nr	article description	quantity
1	MPA 01 310 410	locking rod depth control auger	2
2	BS 531 000 800	washer m8 din 125	16
3	BS 533 000 800	lock washer m8 din 127b	13
4	BS 512 000 816	bolt m8x16 din 933	4
5	BR 112 152 090	nylon bushing with collar (15/21/27x21/3)	4
6	BS 531 001 200	washer m12 din 125	12
7	BS 502 001 200	self locking nut m12 din 985	6
8	MPA 01 310 400	locking rod depth control chassis	2
9	BS 502 000 800	self locking nut m8 din 985	6
10	MPA 01 310 750	reinforcement piece	1
11	BS 512 000 820	bolt m8x20 din 933	8
12	MPA 01 310 010	chassis snowbob	1
13	BW 820 072 310	rubber crawler 200x31x72 rr	2
14	BS 511 001 241	bolt m12x45 din 931	4
15	BB 351 080 732	key 8x7x32 din 6885a	2
16	MPA 01 310 050	gear	2
17	BS 532 008 356	washer m8x35x3	3
18	BS 512 000 830	bolt m8x30 din 933	7
19	BL 002 504 703	bearing 6005 zz	8
20	MPA 01 310 940	spacer ring	4
21	MPA 01 310 060	roller rubber track	4
22	MPA 01 310 760	precision washer protection	6
23	BS 531 001 000	washer m10 din 125	12
24	BS 533 001 000	lock washer m10 din 127b	12
25	BS 512 001 016	bolt m10x16 din 933	4
26	MPA 01 310 670	support tandem	1
27	BS 512 001 025	bolt m10x25 din 933	8
28	BR 112 262 110	nylon bushing with collar (26/35.5/40x21/2)	4
29	MPA 01 310 680	support roller	2
30	BY 100 106 200	grease fitting m6 45° din 71412	2
31	MPA 01 071 030	washer	8
32	BL 002 505 203	bearing 6205 zz	13
33	BB 002 000 520	retaining ring 52 din 472	14
34	MPA 01 071 040	axle idler	4
35	MPA 01 071 020	idler	4
36	BS 512 001 050	bolt m10x100 din 933	2
37	BS 501 001 000	nut m10 din 934	2
38	MPA 01 310 020	support tensioning roller	1
39	BS 511 001 242	bolt m12x50 din 931	2
40	MPA 01 310 380	arm depth control up	1
41	BY 100 106 100	grease fitting m6 din 71412	2
42	MPA 01 310 390	arm depth control down	1

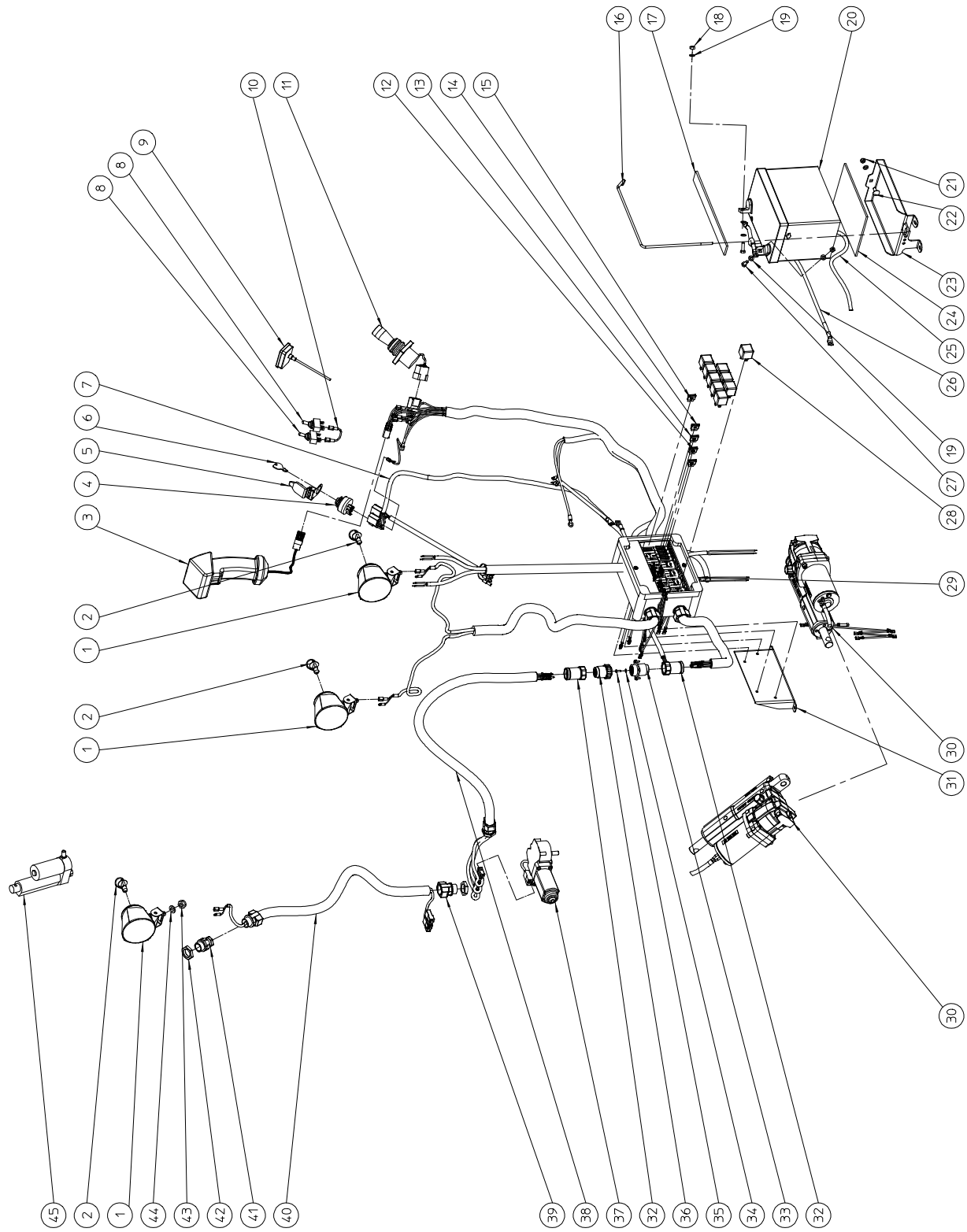


#	Order nr	article description	quantity
1	BS 522 500 610	screw m6x10 iso 7380	20
2	MPA 01 310 580	protection dashboard	1
3	BR 020 501 250	tube cap Ø 25mm	2
4	BN 230 101 102	grip	2
5	BS 512 000 816	bolt m8x16 din 933	20
6	BS 534 000 800	lock washer m8 din 6798a	26
7	BS 531 000 800	washer m8 din 125	32
8	MPA 01 310 360	support protection left	1
9	BS 512 000 625	bolt m6x25 din 933	2
10	BO 530 600 001	hook	2
11	BR 930 020 030	cover right side snowbob	1
12	MPA 01 310 800	clamp housing	2
13	MPA 01 310 790	housing reinforcement	1
14	BR 930 020 010	gasoline tank snowbob 9018t	1
15	BH 720 505 585	cap for tank	2
16	MPA 01 310 600	support lighting	1
17	BS 522 500 820	screw m8x20 iso 7380	2
18	BS 512 000 830	bolt m8x30 din 933	3
19	BS 502 000 800	self locking nut m8 din 985	3
20	BR 930 020 020	oil tank snowbob 9018t	1
21	MPA 01 310 770	screen	1
22	BO 530 600 002	socket	2
23	BS 531 000 600	washer m6 din 125	2
24	BS 534 000 600	lock washer m6 din 6798a	2
25	BS 512 000 620	bolt m6x20 din 933	2
26	BR 930 020 040	cover left side snowbob	1
27	MPA 01 310 370	support protection right	1
28	BB 120 040 300	locking 4x30 din 1481	2
29	BB 120 080 500	locking 8x50 din 1481	2
30	BS 533 720 328	washer m20x32x4 din 1440	4
31	BV 923 000 050	spring	2
32	BS 511 000 841	bolt m8x45 din 931	4
33	MPA 01 310 780	protection behind	1
34	BQ 501 010 030	sticker eliet 200x90	1



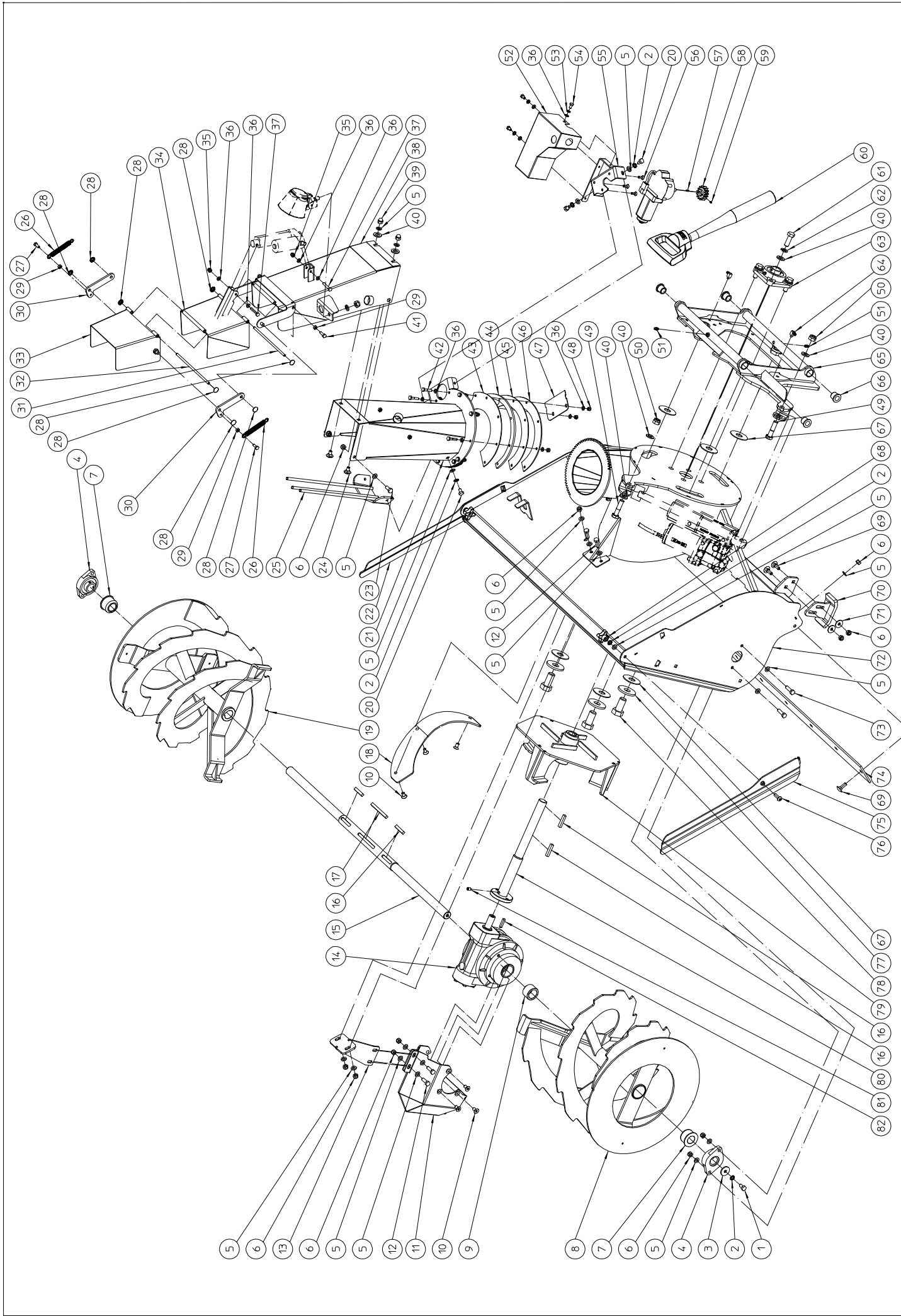
#	Order nr	article description	quantity
1	MPA 01 310 980	driving spindle auger	1
2	MPA 01 310 080	clutch handle auger	1
3	BR 112 121 090	nylon bushing with collar (12/16/22x10/2)	13
4	MPA 01 310 070	dashboard	1
5	BN 230 100 512	plastic grip Ø12mm	1
6	BS 522 500 610	screw m6x10 iso 7380	4
7	BR 000 800 167	bellows joystick ch	1
8	MPA 01 310 650	support rubber joystick	1
9	MPA 01 311 100	inlet screen dashboard	1
10	BS 531 000 500	washer m5 din 125	3
11	BS 512 000 508	bolt m5x8 din 933	3
12	BS 531 000 800	washer m8 din 125	6
13	BS 534 000 800	lock washer m8 din 6798a	4
14	BS 512 000 816	bolt m8x16 din 933	6
15	MPA 01 310 081	safety handle (presence control)	1
16	BB 120 050 200	locking 5x20 din 1481	5
17	MPA 01 310 180	fork control low speed	1
18	BS 502 000 800	self locking nut m8 din 985	7
19	MPA 01 310 200	lever speedcontroler	1
20	BS 511 000 840	bolt m8x40 din 931	1
21	MPA 01 310 970	lever control	2
22	MPA 01 310 210	lever joystick pump	1
23	BB 011 000 080	starlock 8mm	3
24	MPA 01 310 240	control lever to unblock	1
25	BS 552 100 620	screw m6x20 type kf	1
26	BL 000 601 903	bearing ezo 606 zz	1
27	MPA 01 310 130	lever control pump right	1
28	BS 502 000 600	self locking nut m6 din 985	6
29	BR 111 122 090	nylon bushing (12/14x20)	1
30	MPA 01 310 990	driving spindle pump	1
31	MPA 01 310 160	lever control coupling pump	1
32	MPA 01 310 950	speedcontroler control	1
33	BV 923 000 040	spring	1
34	MPA 01 310 190	fork control high speed	1
35	BV 923 000 060	spring	2
36	MPA 01 310 960	spacer controller	1
37	BS 531 000 600	washer m6 din 125	10
38	BR 112 060 800	nylon bushing with collar (6/10/15x8.5/2)	1
39	BV 911 000 010	spring 14x2x16	1
40	MPA 01 310 230	support brake friction pad	2
41	MPA 01 310 220	control pump	1
42	BA 410 100 100	kit brake friction pad	1
43	BS 511 000 645	bolt m6x65 din 931	1
44	MPA 01 310 250	guide lever to unblock	1
45	BV 923 000 030	spring	1
46	MPA 01 310 260	lever to unblock	1
47	BS 512 000 620	bolt m6x20 din 933	4
48	BK 153 257 600	cable type 1 snowbob	1
49	BA 230 010 800	ball joint m8	8
50	BS 581 200 805	stud m8x272 din 939	2
51	MPA 01 310 870	washer	4
52	BV 923 000 010	spring	2

53	BS 523 100 844	set screw m8x60 din 913	2
54	BS 501 000 800	nut m8 din 934	2
55	MPA 01 310 120	lever control pump left	1
56	BB 120 040 300	locking 4x30 din 1481	4
57	MPA 01 310 090	control pump	2
58	BR 112 101 490	nylon bushing with collar (10/14/17.5x14/1)	4
59	MPA 01 310 100	position selector control pump	1
60	BS 522 100 616	screw m6x16 din 7991	4
61	BK 153 255 000	cable type 3 snowbob	2
62	MPA 01 310 170	lever control coupling auger	1
63	BK 153 257 100	cable type 2 snowbob	1
64	BZ 201 310 010	manual snowbob 9018	1



ELIET SNOWBOB 9018 -- ELECTRICS			
NO	MMA	01 310 140	REV 1
			DATE 2014/01/22

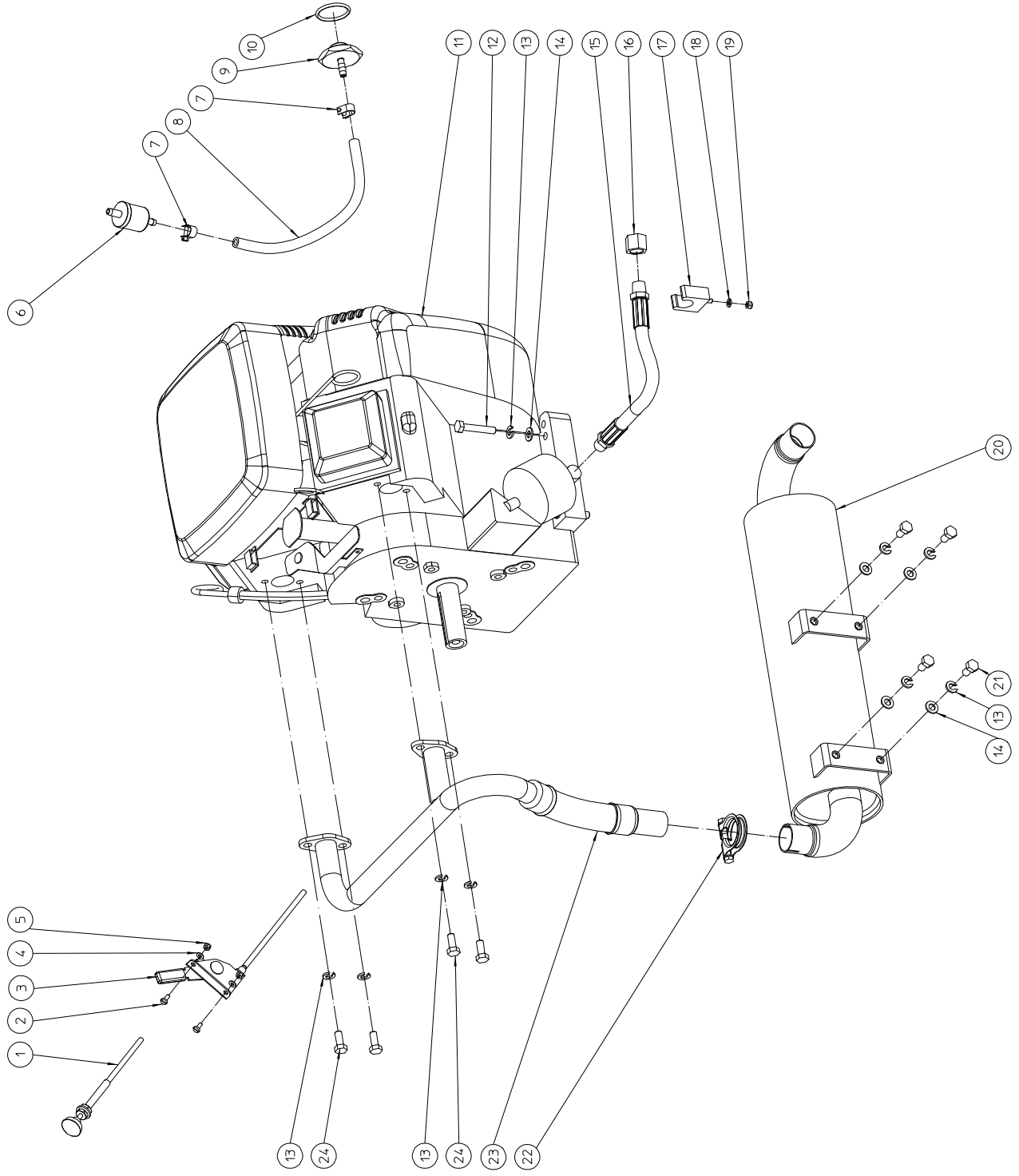
#	Order nr	article description	quantity
1	BY 707 040 401	working light modul 70 h3	3
2	BE 510 510 120	lamp h3 12v 55w	3
3	BE 120 020 001	joystick + connector not installed	1
4	BM 260 692 318	ignition switch	1
5	BM 261 000 010	protection ignition	1
6	BM 260 691 959	ignition key	1
7	BE 099 003 111	electric connector sb 9018 - ignition key	1
8	BE 120 020 636	switch	2
9	BE 412 731 200	maintenance meter	1
10	BE 090 240 101	red wire 2.5 ce 10	1
11	BE 120 029 121	joystick s8000+ connector	1
12	BE 100 703 000	midi-blade fuse 30a	2
13	BE 100 700 750	midi-blade fuse 7.5a	1
14	BE 100 700 300	midi-blade fuse 3a	1
15	BE 100 701 500	midi-blade fuse 15a	1
16	MPA 01 311 050	support rod battery	1
17	BR 900 001 550	rubber protection belt battery snowbob	1
18	BS 501 000 600	nut m6 din 934	2
19	BS 531 000 600	washer m6 din 125	5
20	BE 240 120 240	battery 12v 24ah	1
21	BS 502 000 600	self locking nut m6 din 985	1
22	BS 554 100 616	bolt m6x16 din 603	1
23	MPA 01 310 350	support batterie	1
24	BR 900 001 540	rubber protection battery snowbob	1
25	BE 090 180 901	black wire 16mm <sup>2</sup> - 900mm	1
26	BE 090 280 301	red wire 16mm <sup>2</sup> - 300mm	1
27	BS 512 000 620	bolt m6x20 din 933	2
28	BE 160 013 000	reversing relay 12v	9
29	BE 099 003 101	electric connector sb 9018 - control panel	1
30	BA 700 500 100	actuator electro-hydraulic 12vdc	2
31	MPA 01 310 590	support electric box	1
32	BE 071 160 101	adaptor nw17 - pma-amp sh17	2
33	BE 032 213 893	connector receptacle 10 positons cpc	1
34	BS 531 000 300	washer m3 din 125	4
35	BS 541 000 310	screw m3x10 din 84	4
36	BE 032 213 906	connector plug 10 positons cpc	1
37	BA 700 400 100	driving geared motor 12vdc	1
38	BE 099 003 125	electric connector sb 9018 - auger	1
39	BE 071 171 601	cable box entry pg16 black sem nw17	1
40	BE 099 003 124	electric connector sb 9018 - light and plow pipe	1
41	BE 071 071 600	cable box entry pg16	1
42	BE 071 081 600	locknut pg16	2
43	BS 502 001 000	self locking nut m10 din 985	1
44	BS 533 001 000	lock washer m10 din 127b	1
45	BA 700 300 100	linear motor 12vdc	1



ELIET SNOWBOB 9018 --- BLOWER			
NO	MMA	01 310 150	REV 2
			DATE 2014/01/31

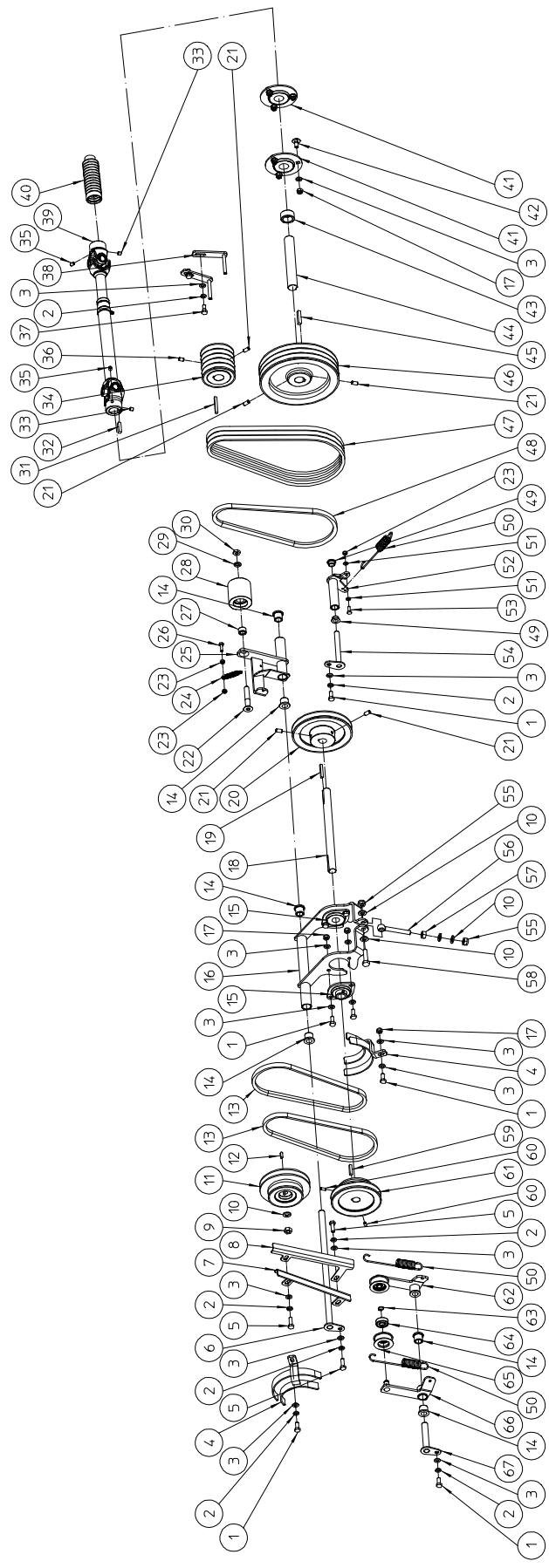
#	Order nr	article description	quantity
1	BS 512 000 816	bolt m8x16 din 933	2
2	BS 534 000 800	lock washer m8 din 6798a	8
3	BS 532 008 306	washer m8x30x3	3
4	BL 801 102 514	bearing + flanges asfw 205	2
5	BS 531 000 800	washer m8 din 125	44
6	BS 502 000 800	self locking nut m8 din 985	29
7	BR 112 263 000	nylon bushing with collar (26/42/48x30/2)	2
8	MPA 01 310 490	auger left	1
9	MPA 01 311 030	spacer ring	1
10	BS 522 100 816	screw m8x16 din 7991	9
11	MPA 01 310 470	chassis box	1
12	BS 512 000 825	bolt m8x25 din 933	4
13	MPA 01 310 460	support chassis box	1
14	BA 670 301 002	reduction gearboxes ri70	1
15	MPA 01 311 040	auger axle	1
16	BB 341 080 740	key 8x7x40 din 6880	4
17	BB 341 080 780	key 8x7x80 din 6880	1
18	MPA 01 310 890	anti retour	1
19	MPA 01 310 480	auger right	1
20	BS 512 000 812	bolt m8x12 din 933	4
21	MPA 01 310 500	blow chute high	1
22	MPA 01 310 620	knife right	1
23	BS 512 000 820	bolt m8x20 din 933	2
24	BS 554 100 816	bolt m8x16 din 603	2
25	MPA 01 310 520	protection blow chute	1
26	BV 923 000 070	spring	2
27	BS 512 000 616	bolt m6x16 din 933	2
28	BB 011 000 080	starlock 8mm	8
29	BS 501 000 600	nut m6 din 934	4
30	MPA 01 310 910	rod valves	2
31	MPA 01 311 090	axle valve - down	1
32	MPA 01 311 080	axle valve - up	1
33	MPA 01 310 540	directional valves blow chute low	1
34	MPA 01 310 530	directional valves blow chute high	1
35	BS 505 500 600	nut m6 din 1587	2
36	BS 531 000 600	washer m6 din 125	28
37	BS 512 000 635	bolt m6x35 din 933	2
38	MPA 01 310 510	blow chute high	1
39	BS 505 800 800	nut m8 din 986	2
40	BS 531 001 200	washer m12 din 125	10
41	BS 512 000 620	bolt m6x20 din 933	2
42	BS 511 000 630	bolt m6x30 din 931	11
43	BR 910 000 430	large nylon blowpipe snowbob	2
44	BR 910 000 450	ertalon conductor	2
45	BR 910 000 420	nylon blowpipe snowbob	2
46	MPA 01 310 920	support blow chute	2
47	MPA 01 310 930	protection gear	1
48	BS 502 000 600	self locking nut m6 din 985	10
49	BS 511 001 242	bolt m12x50 din 931	2
50	BS 502 001 200	self locking nut m12 din 985	2
51	BY 100 106 100	grease fitting m6 din 71412	2
52	MPA 01 310 560	protection engine blow chute	1

53	BS 534 000 600	lock washer m6 din 6798a	3
54	BS 512 000 610	bolt m6x10 din 933	3
55	MPA 01 310 550	support engine blow chute	1
56	BS 522 100 616	screw m6x16 din 7991	3
57	BB 351 030 310	key 3x3x10 din 6885a	1
58	BA 602 501 501	gear m2.5 15t	1
59	BS 023 000 405	set screw m4x6 din 916	1
60	MA 001 001 032	poker	1
61	BS 512 001 235	bolt m12x35 din 933	4
62	BS 533 001 200	lock washer m12 din 127b	4
63	BL 711 272 505	bearing ufc205	1
64	BY 100 106 400	grease fitting m6 90° din 71412	2
65	MPA 01 310 430	support auger	1
66	BR 112 152 090	nylon bushing with collar (15/21/27x21/3)	4
67	BR 910 000 440	ertalon precision washer	6
68	BN 630 808 400	lob knob 188-40 m8	2
69	BS 554 100 825	bolt m8x25 din 603	12
70	MPA 01 310 450	brake	2
71	BS 532 008 254	washer m8x25x2	4
72	MPA 01 310 420	chassis auger	1
73	BS 512 000 830	bolt m8x30 din 933	4
74	MPA 01 310 880	knife	1
75	MPA 01 310 610	knife left	1
76	BS 522 500 825	screw m8x25 iso 7380	2
77	MPA 01 310 900	washer	3
78	BS 512 002 040	bolt m20x40 din 933	3
79	MPA 01 310 440	turbine snowbob	1
80	MPA 01 310 570	axle turbine box	1
81	BS 023 000 810	set screw m8x10 din 916	1
82	BB 351 060 630	key 6x6x30 din 6885a	1



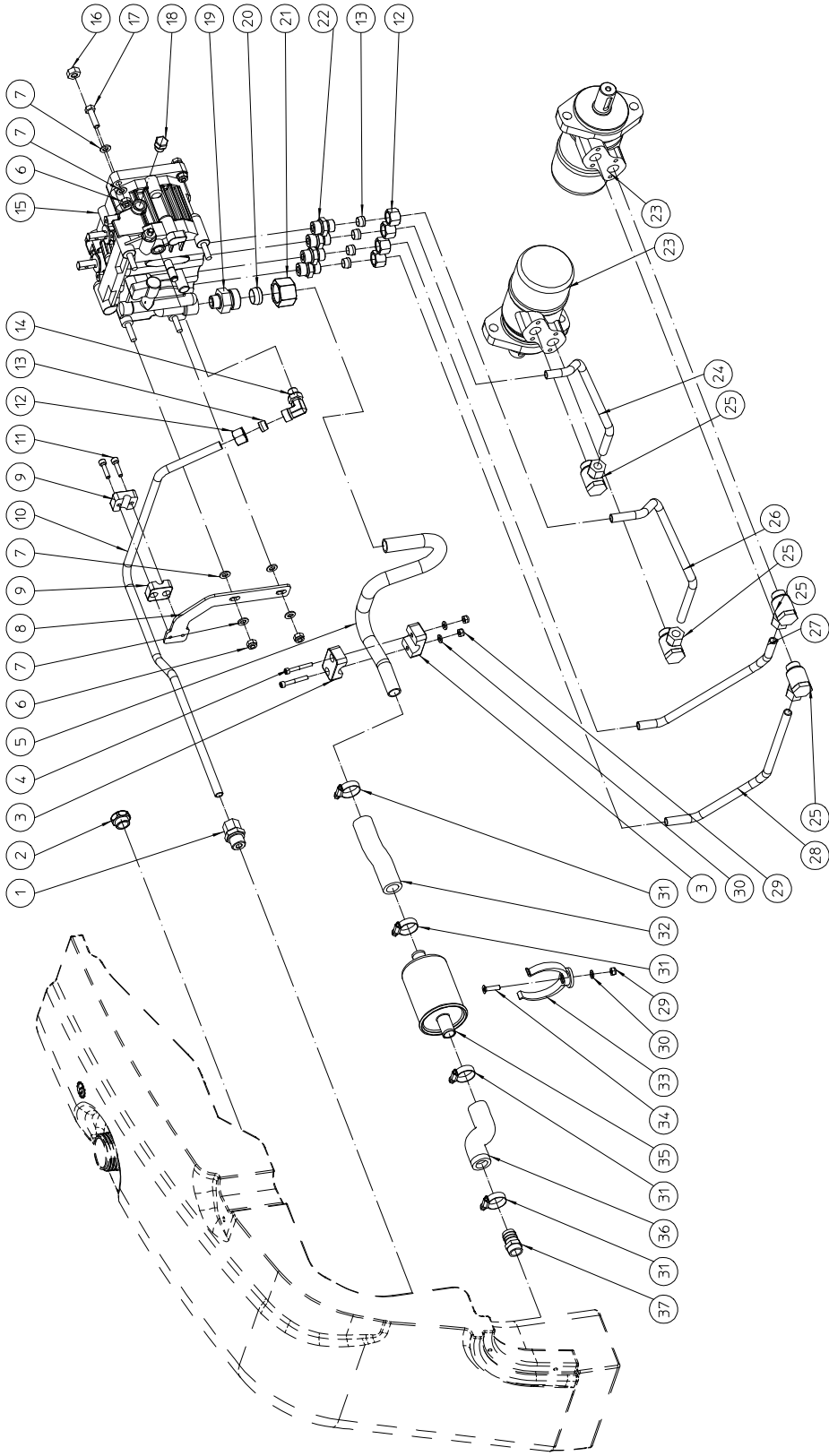
ELIET SNOWBOB 9018 -- ENGINE			
NO	MMA 01 310 160	REV 1	DATE 2014/01/22

#	Order nr	article description	quantity
1	BK 181 151 060	choke control	1
2	BS 541 000 410	screw m4x10 din 84	2
3	BM 260 692 541	throttle control	1
4	BS 531 000 400	washer m4 din 125	2
5	BS 502 000 400	self locking nut m4 din 985	2
6	BM 260 493 629	fuel filter	1
7	BT 670 111 130	hose clamp 11x13mm	2
8	BR 202 005 025	fuel hose 5.5x250mm	1
9	MPA 01 311 220	hose insert 1/2"x8mm-46	1
10	BH 812 345 350	o-ring 34,52 x 3,53 mm viton	1
11	BM 201 318 001	b&s vanguard twin 18 hp	1
12	BS 512 000 841	bolt m8x45 din 933	4
13	BS 533 000 800	lock washer m8 din 127b	12
14	BS 531 000 800	washer m8 din 125	8
15	BH 551 060 320	flexible hydraulic hose 3/8"x320	1
16	BT 174 150 600	terminal nut 3/8"	1
17	BT 654 001 901	clam 19mm	1
18	BS 531 000 500	washer m5 din 125	1
19	BS 502 000 500	self locking nut m5 din 985	1
20	BM 261 300 701	muffler dinex	1
21	BS 512 000 816	bolt m8x16 din 933	4
22	BT 670 330 300	exhaust pipe clamp rt33 1.5 awab	1
23	MPA 01 310 340	muffler pipe	1
24	BS 512 000 820	bolt m8x20 din 933	4



#	Order nr	article description	quantity
1	BS 512 000 820	bolt m8x20 din 933	8
2	BS 533 000 800	lock washer m8 din 127b	8
3	BS 531 000 800	washer m8 din 125	24
4	MPA 01 310 310	belt catcher	2
5	BS 512 000 825	bolt m8x25 din 933	3
6	MPA 01 310 320	locking rod transmission support	1
7	MPA 01 310 830	belt catcher - high speed	1
8	MPA 01 310 820	belt catcher - low speed	1
9	BS 501 071 000	nut m10 din 934 left-hand	1
10	BS 531 001 000	washer m10 din 125	5
11	BA 565 012 522	pulley spa ii 125x85	1
12	BB 351 050 518	key 5x5x18 din 6885a	1
13	BA 521 707 871	belt a 31 powerated	2
14	BR 112 152 090	nylon bushing with collar (15/21/27x21/3)	8
15	BL 801 102 001	bearing + flanges aspfl 204	2
16	MPA 01 310 700	support bearing transmission	1
17	BS 502 000 800	self locking nut m8 din 985	11
18	MPA 01 311 010	transmission shaft pump	1
19	BB 341 060 640	key 6x6x40 din 6880	1
20	BA 565 715 001	pulley spa 150x20x6	1
21	BS 023 000 816	set screw m8x16 din 916	5
22	BS 522 101 246	screw m12x70 din 7991	1
23	BS 502 000 600	self locking nut m6 din 985	3
24	BV 011 311 005	spring 1,3x11x55	1
25	MPA 01 310 690	lever control	1
26	BS 512 000 620	bolt m6x20 din 933	1
27	MPA 01 311 120	spacer ring idler roller	1
28	BA 599 006 100	idler roller Ø50	1
29	BS 533 001 000	lock washer m10 din 127b	1
30	BS 501 901 000	nut m10 din 439	1
31	BB 341 060 650	key 6x6x50 din 6880	1
32	BB 341 080 730	key 8x7x30 din 6880	1
33	BS 023 000 808	set screw m8x8 din 916	2
34	BA 565 708 051	pulley spa v 80x25.4x6.4	1
35	BS 023 000 810	set screw m8x10 din 916	2
36	BS 023 000 812	set screw m8x12 din 916	1
37	BS 512 040 819	bolt unf 5/16"x3/4"	2
38	MPA 01 310 630	belt catcher	2
39	BA 224 100 400	shaft connector s1=480x=100mm d=25x8	1
40	BR 000 812 515	protective bellows	1
41	BL 801 502 500	bearing + flanges aspf 205	2
42	BS 554 100 820	bolt m8x20 din 603	6
43	MPA 01 311 020	spacer	1
44	MPA 01 311 000	transmission shaft auger	1
45	BB 341 080 740	key 8x7x40 din 6880	1
46	BA 565 720 031	pulley spa iii 200x25x8	1
47	BA 521 709 401	belt a 37 powerated	3
48	BA 521 208 000	belt xpa 800	1
49	BR 112 121 090	nylon bushing with collar (12/16/22x10/2)	2
50	BV 923 000 020	spring	3
51	BS 531 000 600	washer m6 din 125	2
52	MPA 01 310 140	lever control coupling	1

53	BS 512 000 616	bolt m6x16 din 933	1
54	MPA 01 310 150	locking rod lever control coupling pump	1
55	BS 502 001 000	self locking nut m10 din 985	2
56	BS 551 001 048	eye bolt m10x80 din 444	1
57	BS 501 001 000	nut m10 din 934	1
58	BS 512 001 040	bolt m10x40 din 933	1
59	BB 341 060 630	key 6x6x30 din 6880	1
60	BS 023 000 612	set screw m6x12 din 916	2
61	BA 565 012 521	pulley spa ii 125x85x20x6	1
62	MPA 01 310 300	lever coupling slow speed	1
63	BB 001 000 120	retaining ring 12 din 471	2
64	BL 001 203 203	bearing 6201 zz	2
65	BA 599 006 202	idler roller Ø44	2
66	MPA 01 310 290	lever coupling high speed	1
67	MPA 01 310 330	locking rod lever coupling	1



ELIET SNOWBOB 9018 -- HYDRAULICAL			
NO	MMA	REV	DATE
01	310	180	2
			2014/01/22

#	Order nr	article description	quantity
1	BH 509 211 208	male stud coupling 12x1/2"	1
2	BH 730 104 108	level gauge	1
3	BH 712 010 110	pipe clamp a-20mm	2
4	BS 521 100 540	screw m5x40 din 912	2
5	MPA 01 311 740	hydraulic pipe suction Ø12mm	1
6	BS 502 000 800	self locking nut m8 din 985	6
7	BS 531 000 800	washer m8 din 125	12
8	MPA 01 311 060	pipeholder return	1
9	BH 711 210 110	pipe clamp a-12mm	2
10	MPA 01 311 790	hydraulic pipe return Ø12mm	1
11	BS 521 100 625	screw m6x25 din 912	2
12	BH 508 121 200	nut 12l	5
13	BH 508 821 200	cutting ring 12ls	5
14	BH 522 091 214	stud elbows 12x9/16" unf	1
15	BH 241 010 001	variable displacement pump 2 x 10cc	1
16	BS 501 071 000	nut m10 din 934 left-hand	1
17	BS 512 000 830	bolt m8x30 din 933	4
18	BH 500 514 000	blanking plug 9/16"unf	1
19	BH 509 292 019	male stud coupling 20x3/4 unf bo	1
20	BH 508 842 000	cutting ring 20s	1
21	BH 508 142 000	nut 20s	1
22	BH 509 291 219	male stud coupling 12x3/4 unf bo	4
23	BH 330 420 000	hydraulic engine ompn 200cc	2
24	MPA 01 311 770	hydraulic pipe ard Ø12mm	1
25	BH 513 111 208	banjo 12x1/2"	4
26	MPA 01 311 780	hydraulic pipe avd Ø12mm	1
27	MPA 01 311 760	hydraulic pipe avg Ø12mm	1
28	MPA 01 311 750	hydraulic pipe arg Ø12mm	1
29	BS 502 000 600	self locking nut m6 din 985	3
30	BS 531 000 600	washer m6 din 125	3
31	BT 670 117 290	hose clamp 17x29mm	4
32	BR 201 019 015	flexible hose 19-150mm	1
33	BT 653 006 300	clam 63mm	1
34	BS 522 100 625	screw m6x25 din 7991	1
35	BH 280 119 190	hydraulic filter p17	1
36	BR 201 019 011	flexible hose 19-110mm	1
37	BT 136 260 820	hose insert 1/2"x20mm	1